

MITSUBISHI FUSO



FE125

BUILDING YOUR  
REPUTATION FOR  
DEPENDABILITY.





# FE125 SPECIFICATIONS

**THE INDUSTRY'S MOST DEPENDABLE CABOVERS** carry the industry's best warranty — ours. It combines three-part protection for your FE investment. That includes limited 3-Year vehicle bumper-to-bumper/unlimited mileage; limited 4-Year warranty against rust-through, and a 5-Year/175,000-Mile limited Powertrain warranty that also covers bolt-ons such as turbochargers, starter motors and alternators. See your dealer for complete details on Mitsubishi Fuso's best-in-industry warranty.



## CHASSIS

<b>Transmission</b>	Standard Estimated top speed (mph)	Aisin Electronic 6-speed OD AT 75
<b>Axles</b>	Front Rear	Reverse Elliot, I-beam type, 5,510-lb. capacity Full floating type, 9,920-lb. capacity
<b>Final reduction gear</b>	Type Ratio	Single-reduction hypoid 5.285
<b>Curb weight base model</b>	5,900 lb. (est.)	
<b>Turning diameter</b>	34.8 ft. (min. wheelbase)	
<b>Tires (premium)</b>	Single front, dual rear Size	215/85R16 10PR All-season all positions
<b>Disc wheel</b>	16" x 6"/5-lug	
<b>Steering</b>	Ball-nut-type with integral-type hydraulic power booster Tilt/telescoping steering column with steering lock	
<b>Windows/door locks</b>	Power	
<b>Suspension</b>	Front Rear	Laminated leaf springs with shock absorbers Laminated leaf springs with shock absorbers and stabilizer bar
<b>Brakes</b>	Service Parking Exhaust	Dual-caliper disc, hydraulic-type w/ vacuum servo w/ ABS Drum/driveline, internal expanding shoe Vacuum actuated
<b>Frame</b>	Type Section modulus Yield strength RBM per rail Height/width	Ladder/straight 8.11 cu. in. 56,560 psi 459,830 lb.-in. 34.4"/33.1"
<b>Fuel tank</b>	33-gallon side mount, or 30-gallon aft mount	
<b>Electrical system</b>	Two 12-volt, maintenance-free batteries – 799 CCA each	
<b>Vehicle safety</b>	Energy-absorbing steering wheel, crush bars in doors, daytime running lights and ABS standard	
<b>Cruise control</b>	Standard (programmable)	

# MITSUBISHI FUSO

## SAFETY

Crush bar in each door

Energy-absorbing steering wheel

Daytime running lights

Dual-caliper disc brakes with ABS, all wheels

High-visibility halogen headlamps

Covered, open-grate entry steps

“Wet arm” 3-speed windshield wipers

Forward swing doors for easy, safe entry



One-touch tilt/telescoping steering wheel



Forward swing doors plus a roomy cab interior








Folding-seat workstation plus added storage



Easy-to-read instrument panel

## BODY COLORS

	Arcadia Silver
	Natural White
	Jupiter Green
	Mars Red
	Shannon Blue

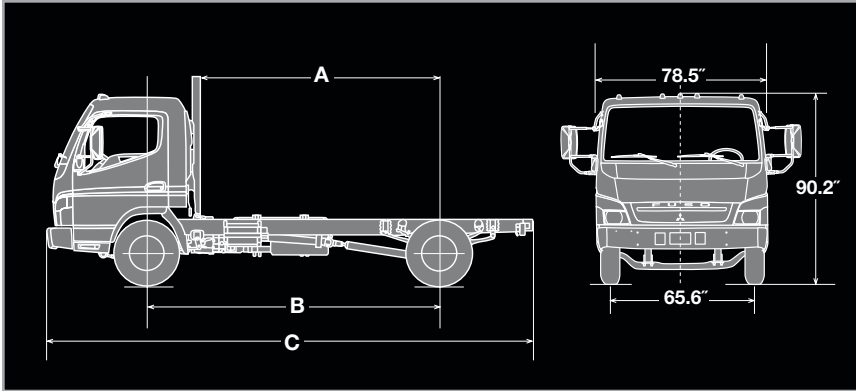
All models are available immediately in white. Other colors may be special ordered at no extra charge.

## FABRIC STYLE

	Blue and Gray Cloth
---	---------------------

## ENGINE

Model	Mitsubishi 4M50
Type	DOHC 4-stroke cycle, water-cooled, turbocharged, intercooled diesel with 4 valves per cylinder and dual balance shafts
No. of cylinders	Four in-line
Piston displacement	299.0 cu. in. (4.9 liter)
Max. output (SAE, gross)	185 hp @ 2700 rpm
Max. torque (SAE, gross)	391 lb.-ft. @ 1600 rpm
Air cleaner	Dry paper element with snorkel
Starter	12-volt
Alternator	12-volt, 100-amp
Cold weather starting aid	Individual ceramic-tipped glow-plugs



## DIMENSIONS

A. Usable cab to rear axle	86.0"	105.7"	123.8"
B. Wheelbase	114.6"	134.3"	152.4"
C. Overall length (end of frame)	227.2"	246.9"	265.0"
<b>Body size accommodated</b>	12'	14'	16' 18'

## WEIGHT (LB.)\*

GVWR/GAWR	12,500	Front 5,360	Rear 9,880
GCWR	19,503		
Max. body-payload capacity	6,600		

\*Weight approximate. See dealer for details.



MITSUBISHI FUSO  
TRUCK OF AMERICA, Inc.  
2015 Center Square Road  
Logan Township, NJ 08085

For the dealer nearest you,  
or for more information,  
visit our web site at:  
[www.mitfuso.com](http://www.mitfuso.com)



Vehicle specifications are subject to change without notice. Photos and descriptions included in this spec sheet may vary in comparison to actual vehicle models. For warranty limitations and details, see your local dealer. PRINTED IN THE U.S.A. ON RECYCLED AND RECYCLABLE PAPER 11/07. ©2007 MITSUBISHI FUSO TRUCK OF AMERICA, Inc.