

MITSUBISHI FUSO



FE180

THE DEPENDABLE
PARTNER YOUR
BUSINESS **NEEDS.**





FE180 SPECIFICATIONS

THE INDUSTRY'S MOST DEPENDABLE CABOVERS carry the industry's best warranty — ours. It combines three-part protection for your FE investment. That includes limited 3-Year vehicle bumper-to-bumper/unlimited mileage; limited 4-Year warranty against rust-through, and a 5-Year/175,000-Mile limited Powertrain warranty that also covers bolt-ons such as turbochargers, starter motors and alternators. See your dealer for complete details on Mitsubishi Fuso's best-in-industry warranty.



CHASSIS

Clutch	Type Size	Organic 12.8"
Transmission	Standard Optional Estimated top speed (mph)	Mitsubishi 6-speed OD MT Aisin Electronic 6-speed OD AT 66 MT/75 AT
Axles	Front Rear	Reverse Elliot, I-beam type, 6,835-lb. capacity Full floating type, 12,700-lb. capacity
Final reduction gear	Type Ratio	Single-reduction hypoid 5.714 MT/5.285 AT
Curb weight base model	6,230 lb. (est.)	
Turning diameter	34.8 ft. (min. wheelbase)	
Tires (premium)	Single front, dual rear Size	215/75R17.5 12PR Highway/Traction
Disc wheel	17.5" x 6"/6-lug	
Steering	Ball-nut-type with integral-type hydraulic power booster Tilt/telescoping steering column with steering lock	
Windows/door locks	Power	
Suspension	Front Rear	Laminated leaf springs with shock absorbers and stabilizer bar Laminated leaf springs with shock absorbers and stabilizer bar
Brakes	Service Parking Exhaust	Dual-caliper disc, hydraulic-type w/ hydraulic assist w/ ABS Drum/driveline, internal expanding shoe Vacuum actuated
Frame	Type Section modulus Yield strength RBM per rail Height/width	Ladder/straight 8.11 cu. in. 56,560 psi 459,830 lb.-in. 34.6"/33.1"
Fuel tank	33-gallon side mount, or 30-gallon aft mount	
Electrical system	Two 12-volt, maintenance-free batteries – 799 CCA each	
Vehicle safety	Energy-absorbing steering wheel, crush bars in doors, daytime running lights and ABS standard	
Cruise control	Standard on AT only (programmable)	

MITSUBISHI FUSO

SAFETY

Crush bar in each door

Energy-absorbing steering wheel

Daytime running lights

Dual-caliper disc brakes with ABS, all wheels

High-visibility halogen headlamps

Covered, open-grate entry steps

“Wet arm” 3-speed windshield wipers

Forward swing doors for easy, safe entry



Forward swing doors for easy, safe entry/exit



Fully adjustable driver's seat. Reclining passenger seats



3-speed wet arm windshield wipers



Oversized cup holder

ENGINE

Model	Mitsubishi 4M50
Type	DOHC 4-stroke cycle, water-cooled, turbocharged, intercooled diesel with 4 valves per cylinder and dual balance shafts
No. of cylinders	Four in-line
Piston displacement	299.0 cu. in. (4.9 liter)
Max. output (SAE, gross)	185 hp @ 2700 rpm
Max. torque (SAE, gross)	391 lb.-ft. @ 1600 rpm
Air cleaner	Dry paper element with snorkel
Starter	12-volt
Alternator	12-volt, 100-amp
Cold weather starting aid	Individual ceramic-tipped glow-plugs

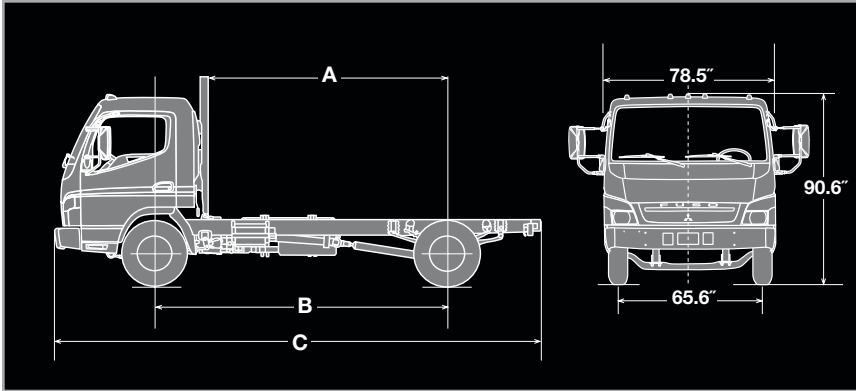
BODY COLORS

	Arcadia Silver
	Natural White
	Jupiter Green
	Mars Red
	Shannon Blue

All models are available immediately in white. Other colors may be special ordered at no extra charge.

FABRIC STYLE

	Blue and Gray Cloth
--	---------------------



DIMENSIONS

A. Usable cab to rear axle	86.0"	105.7"	123.8"	147.4"	160.8"	
B. Wheelbase	114.6"	134.3"	152.4"	176.0"	189.4"	
C. Overall length (end of frame)	228.2"	247.9"	266.0"	288.6"	302.0"	
Body size accommodated	12'	14'	16'	18'	20'	22'

WEIGHT (LB.)*

GVWR/GAWR	17,995	Front 6,395	Rear 12,700
GCWR	19,845 AT/24,012 MT		
Max. body-payload capacity	11,765		

*Weight approximate. See dealer for details.



MITSUBISHI FUSO
TRUCK OF AMERICA, Inc.
2015 Center Square Road
Logan Township, NJ 08085

For the dealer nearest you,
or for more information,
visit our web site at:
www.mitfuso.com

